

**1. Introduction**

Model HS-008 is a compact high performance fan/heatsink combo designed for general cooling of high heatflux devices. The heatsink and heatpipes are nickel plated and soldered together to maximize heat transfer.

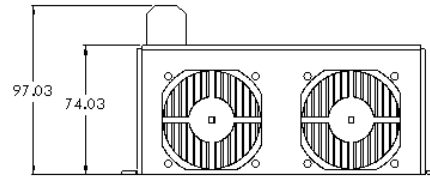
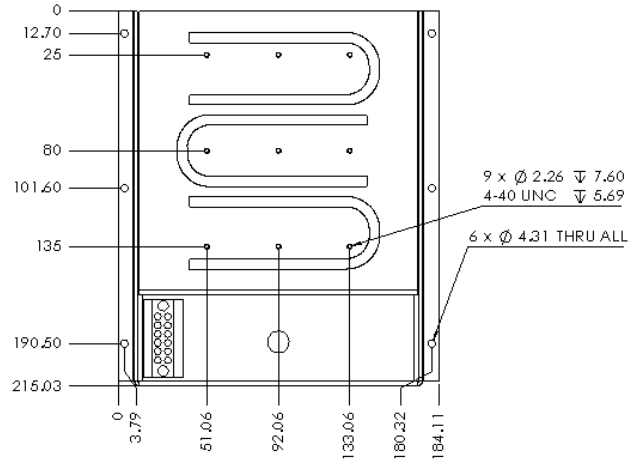
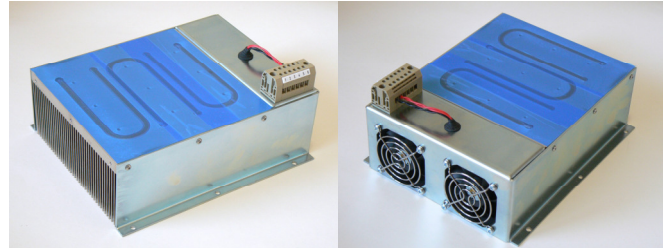
Heatpipes are known to have extremely high thermal conductivity; three heatpipes make sure any concentrated heat source on any where of the heatsink base is spread over the entire base; this minimizes the spreading resistance and maximize the effectiveness of the heatsink fins.

The fins are periodically segmented to break down the laminar layer of the airflow. Breaking down the laminar air flow increases turbulence and improve cooling effectiveness.

HS-008 comes with a high quality terminal block for fan wiring. The fans are hidden inside of the air duct, reducing the noise significantly.

Custom mounting holes patterns is available upon request or users can add their own mounting holes as they wish.

The bluish color on the heatsink base shown in the picture is masking film to preserve the surface finish and cleanliness.



**2. Performance and cooling fan specifications**

The thermal resistance of model HS-008 is 0.08°C/w from heatsink to ambient. There are two cooling fans. Each fan is specified as below.

Parameters	Standard
Rated voltage	12VDC
Operating voltage range	5.5~13.8 VDC
Input power	9.9w
Rated current	.83A
Noise	47dBA

**3. Pricing and Contacts**

For pricing and availability, please contact ETE:

**Elite Thermal Engineering**

22914 11<sup>th</sup> Ave, W, Bothell, WA 98021

Phone: 425-770-8147

Fax: 425-953-1333

Email: [contact@elitethermalengineering.com](mailto:contact@elitethermalengineering.com)