

1. Introduction

Model HS-011 is a compact high performance fan/heatsink combo designed for general cooling of high heatflux devices.

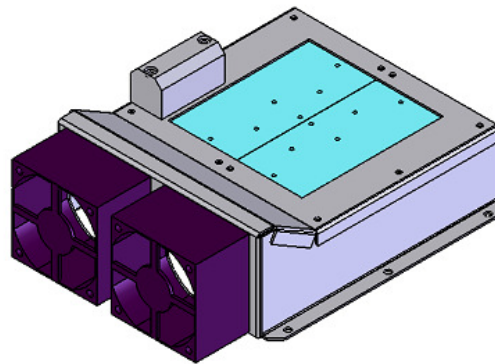
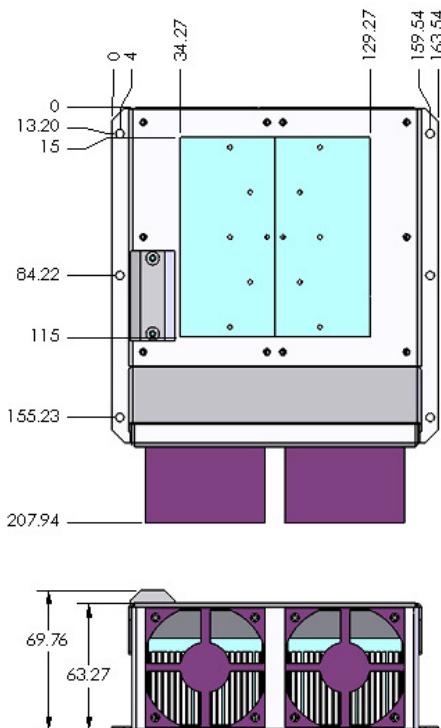
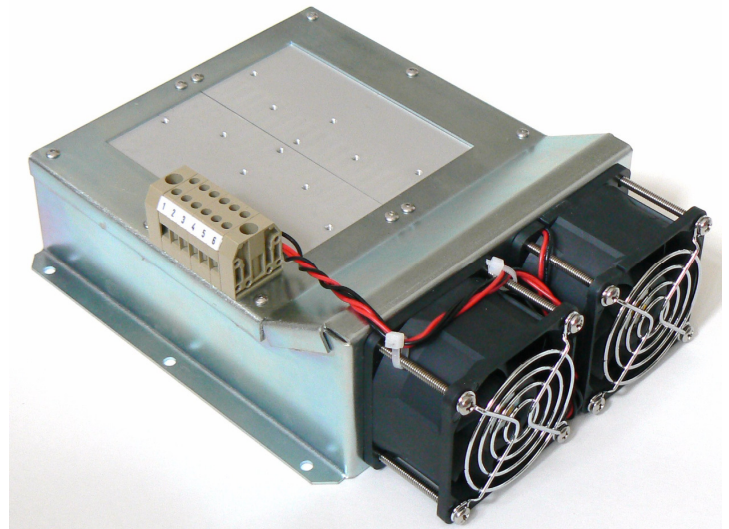


Figure 1 above outlines the overall dimensions and the available area for mounting heat sources.

Custom mounting holes patterns is available upon request or users can add their own mounting holes as they wish.

2. Performance

The thermal resistance of model HS-011 is 0.11°C/w with 2” square heat source.

3. Cooling Fan Specifications

Parameters	Standard
Rated voltage	12VDC
Operating voltage range	5.5~13.8 VDC
Input power	9.9w
Rated current	1.66A
Noise	47dBA

4. Pricing and Contacts

For pricing and availability, please contact ETE in any of the following options:

Elite Thermal Engineering

22914 11th Ave, W, Bothell, WA 98021

Phone: 425-770-8147

Fax: 425-953-1333

Email: contact@elitethermalengineering.com