

### 1. Introduction

Model HS-022 is a compact high performance fan/heatsink combo designed for general cooling of high heatflux devices. It has 2 sets of mounting hole patterns for industrial standard 14-pin butterfly laser packages and Elite's model BA-01, or it can be supplied with minimal # of mounting holes for customer to add your own mounting holes.

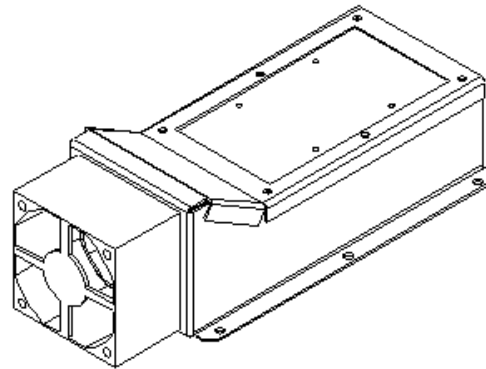
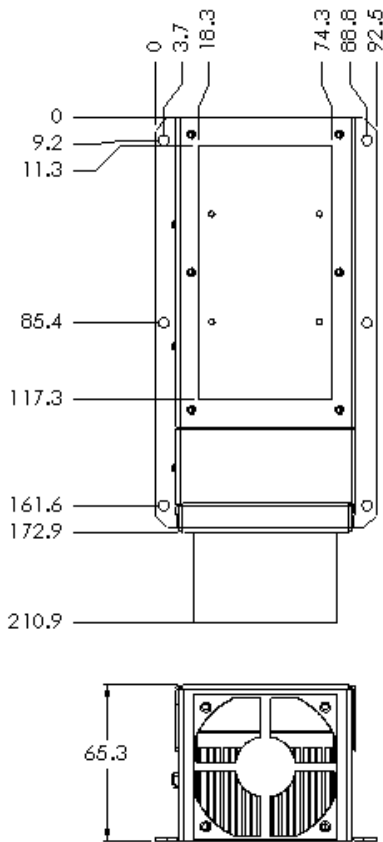
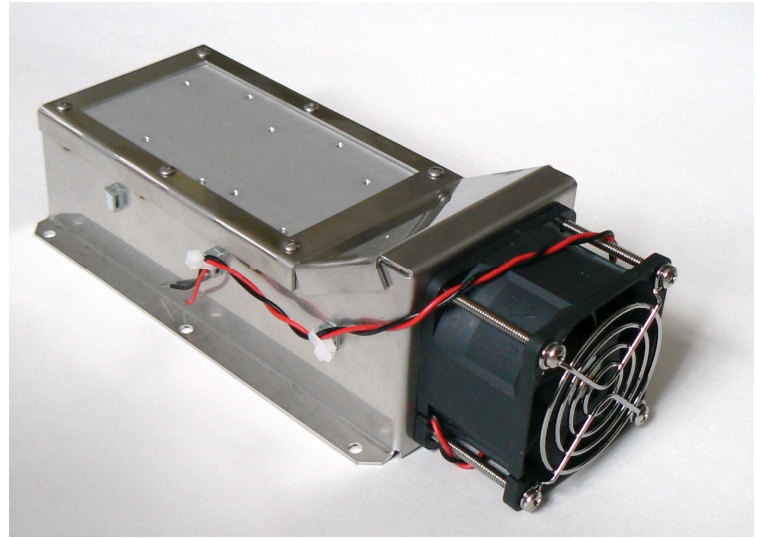


Figure 1 above outlines the overall dimensions. Other holes are for mounting our butterfly adaptor PCA model BA-01.

Custom mounting holes patterns is available upon request or users can add their own mounting holes as they wish.

## 2. Performance

The thermal resistance of model HS-022 is 0.22°C/w from butterfly case to ambient with 1” square heat source.

## 3. Cooling Fan Specifications

Parameters	Standard
Rated voltage	12VDC
Operating voltage range	5.5~13.8 VDC
Input power	9.9w
Rated current	.83A
Noise	47dBA

## 4. Pricing and Contacts

For pricing and availability, please contact ETE in any of the following options:

### Elite Thermal Engineering

22914 11<sup>th</sup> Ave, W, Bothell, WA 98021

Phone: 425-770-8147

Fax: 425-953-1333

Email: [contact@elitethermalengineering.com](mailto:contact@elitethermalengineering.com)